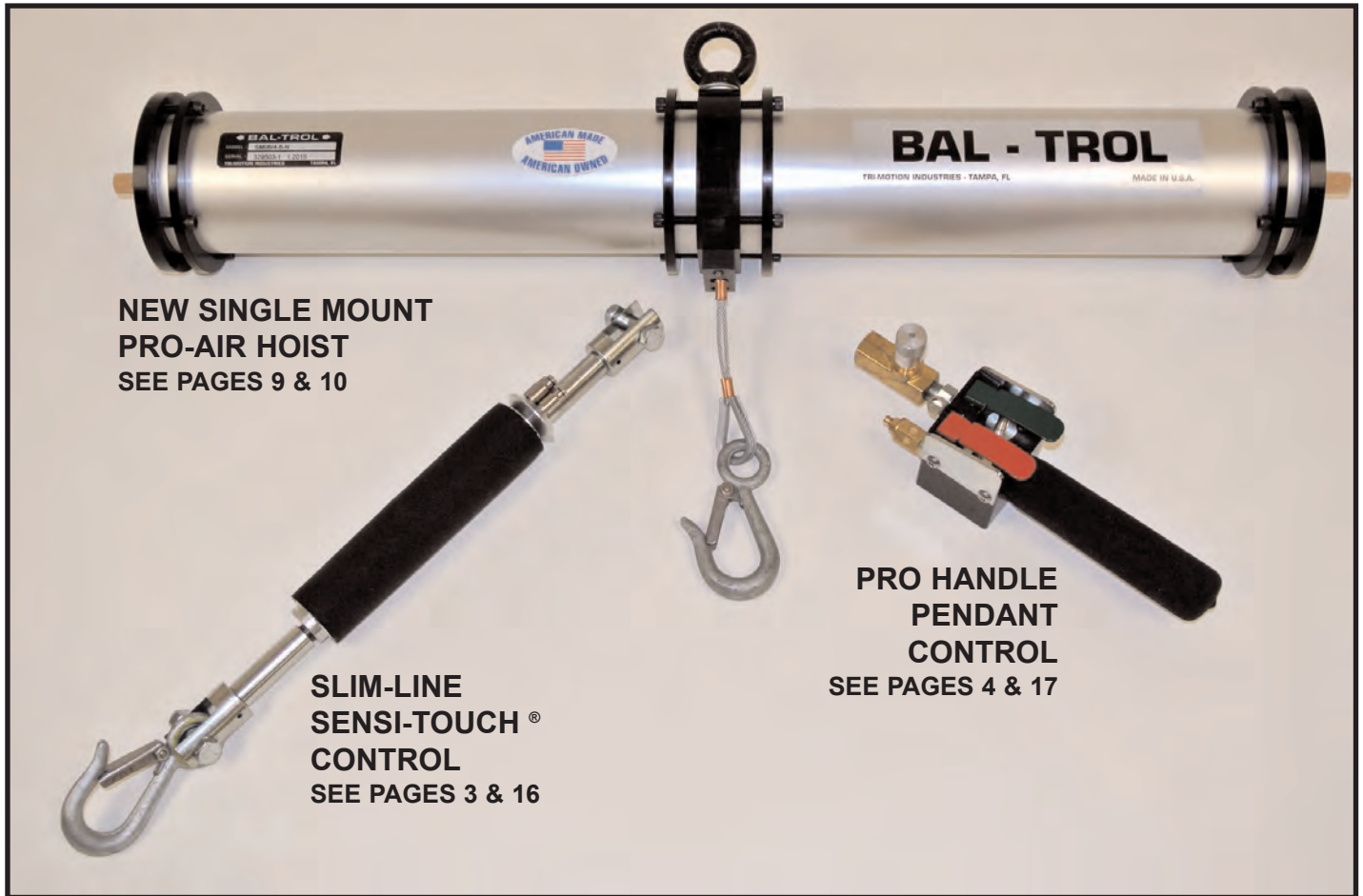




LEADERS IN AIR BALANCING HOISTS



Bal-Trol® Products are covered by U.S. Patent Nos. 6,595,104-B2 and 7,798,472-B2 and other applications pending.

**ISO 9001:2008 CERTIFICATION
NO. 5047 1494/B**



HOW TO ORDER A BAL-TROL®*

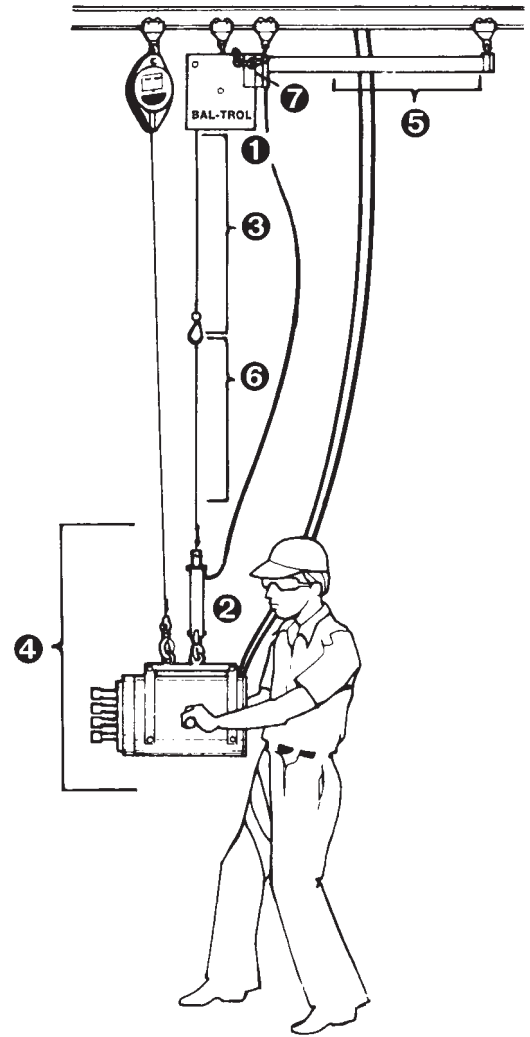
IMPORTANT CRITERIA:

- 1. Determine weight to be lifted.**
The weight to be lifted will determine what we call the "capacity" of the unit. For example, if you need to lift a 95 lb. load, you would want a 100 lb. capacity unit.
- 2. Determine range of movement from the lowest point to the highest point.**
The range of movement will determine what we call the "hook travel" of the unit. The hook travel and the capacity need will determine the Bal-Trol® you need.
- 3. Determine ideal control.**
Are you looking for lift assistance, e.g., "picking and placing"? For lift assistance check out the Sensi-Touch® and Speed Handle Controls.
Are you looking to balance a load, i.e., rendering a load "weightless"? See our Balance Controls.
- 4. How much room do you have for the Bal-Trol®?**
No space constraint? Use Full Capacity Model.
Tighter Space? Use New Single Mount unit or Pro-Air Bal-trol®.
- 5. Should the Bal-Trol® be mounted horizontally or vertically?**
Decision will depend on space configuration and user preference.

* Bal-Trol® is a Registered Trademark of Tri-Motion Industries, Inc. Bal-Trol® Products are covered by U.S. Patent Nos. 6,595,104-B2 and 7,798,472-B2 and other applications pending.

EXPLANATION OF TERMS FOR BAL-TROL®

- 1 BAL-TROL®**
Provides a flow of regulated air to one side of a piston riding in a tube. It provides a state of balance or lift.
- 2 CONTROLS**
Define application. Four control packages. See pages 3, 4, & 5.
- 3 CABLE** Galvanized steel aircraft type.
- 4 ACTIVE HOOK TRAVEL**
Distance in feet load moves.
- 5 STROKE**
Movement of piston in cylinder tube.
- 6 OVERHANG CABLE** (See pg. 16)
Extra cable brings load to point where work takes place. Example: Require 2' of travel. Unit is mounted 3' above work area. We would supply a 3' length of cable.
- 7 SECONDARY SUPPORT CHAIN**
Prevents the possibility of balancer falling. See page 18.

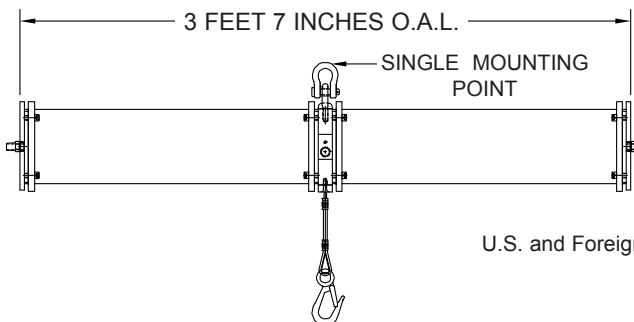
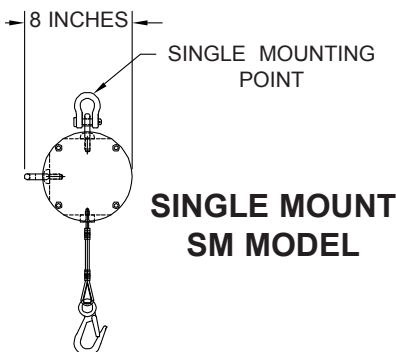
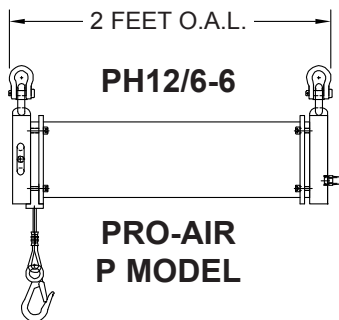
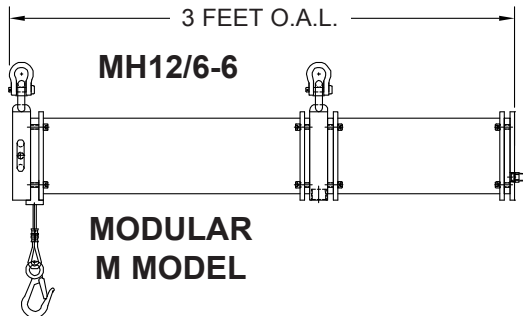
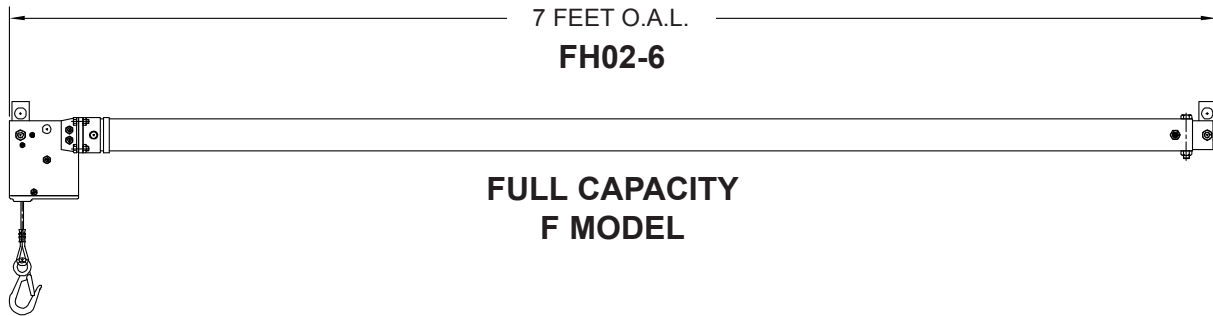


ISO 9001:2008 CERTIFICATION
NO. 5047 1494/B

REGISTERED TRADE NAMES
BAL-TROL®
DROP-STOP®
SENSI-TOUCH®

TABLE OF CONTENTS

	PAGE
CONTROLS	S Sensi-Touch® Control 3
	SL Slim-Line Sensi-Touch® Control 3
	H Speed Handle Control 4
	PH Pro-Handle Control 4
	SH Slim-Handle Control 4
BAL-TROL®	B Balance Control 5
	P Pro-Air • Ordering Specifications 7
	P Pro-Air • Dimensions 8
	SM Single Mount Pro-Air • Ordering Specifications 9
	SM Single Mount Pro-Air • Dimensions 10
	M Modular Ratio • Ordering Specifications 11
	M Modular Ratio • Dimensions 12
	F Full Capacity • Ordering Specifications 13
	F Full Capacity • Dimensions 14
	DROP-STOP®
A Control Kits & Accessories 16-18	



U.S. and Foreign Patents Pending

SPACE SAVING

**SAME CAPACITY (200 LBS.)
SAME TRAVEL (6 FEET)**

All Bal-Trols® have a range of "Float" to allow for precision placement without damaging product or machine.

WHAT IS THE BAL-TROL®?

The Bal-trol® is a pneumatic (air-powered) device that can be used to balance or lift a load. For quieter, smoother and more maintenance-free operation, the Bal-Trol® should be considered in place of applications using chain hoists (air or electric) or other lifting methods — and especially in place of back-breaking manual lifting! The Bal-Trol® is a simple, cost-effective solution for workplace lifting injuries, especially from repetitive lifting. It can make the workplace more efficient by allowing a single worker to perform an operation that would otherwise require assistance in manually lifting a heavy load.

The Bal-Trol® is ideal for high-cycle applications, or where precise control is desired without overheating. The Bal-Trol® is simple to operate. It contains no expensive electronic components, and has no computer parts that can fail or require reprogramming. The Bal-Trol® is time-tested. It has been used for many years in a variety of applications, in diverse industries, all over the world, including automotive, brewing, military hardware, glass manufacturing, food product manufacturing and processing, to name just a few.

Bal-Trol® and an expanding range of controls have been manufactured in the United States for over 40 years by Tri-Motion Industries, Inc. We are proud of our commitment to quality and our durable product line. Some of the very first units we manufactured are still in service! Tri-Motion Industries, Inc. is ISO-certified and Bal-Trol® products are available through distributors throughout the United States, Canada and Western Europe.

SENSI-TOUCH® (S) (SL) CONTROLS

LOAD HOOK IS DIRECTLY UNDER CONTROL

THIS LIFT ASSIST IS USED FOR PICK AND PLACE APPLICATIONS. ENABLES OBJECTS TO BE LOADED AND UNLOADED. THE RANGE OF "FLOAT" ALLOWS FOR PRECISE PLACEMENT WITHOUT DAMAGING PRODUCT OR MACHINE.

- Sensi-Touch® Controls have a range of FLOAT (or balance) of **4 to 6 inches**. This allows the operator to move load within a couple of inches of drop off point, remove hands from the control so that the part can be maneuvered in place and then release.
- **SPEED:** These controls allow for variable speeds. Gentle pressure causes a slow gradual movement. Increased pressure causes faster movement. Smooth travel movement is consistent throughout travel.
- **SPEED ADJUSTMENTS** are easily handled with no additional tools required. All up speed is adjusted by turning the flow control on the manifold (located on the Bal-Trol®). Down speed is adjusted at the control handle.
- **SAFETY:** Loss of air pressure will not result in load dropping. Bal-Trol® will keep load in place. Once the load is in place, it may be removed from the hook after releasing the air pressure in the unit!



**MODEL (S)
ORIGINAL
SENSI-TOUCH®**



OPERATION:
A thumb ring at the top of the Controls provides better control on the upstroke. For the downstroke simply pull down on the control.

901-06000 - (5-375 Lbs.) Small Sensi-Touch® Control **ONLY**.

901-06001 - (400-1200 Lbs.) Large Sensi-Touch® Control **ONLY**.

905-06000 - (5-375 Lbs.) Small Slim-Line Sensi-Touch® Control **ONLY**.

905-06002 - (400-1200 Lbs.) Large Slim-Line Sensi-Touch® Control **ONLY**.

See Control Packages on Page 16.



**MODEL (SL)
SLIM-LINE
SENSI-TOUCH®**



- Larger grip diameter.
- Down speed adjustment conveniently located on the control.
- Compatible with all models of Bal-Trol®.

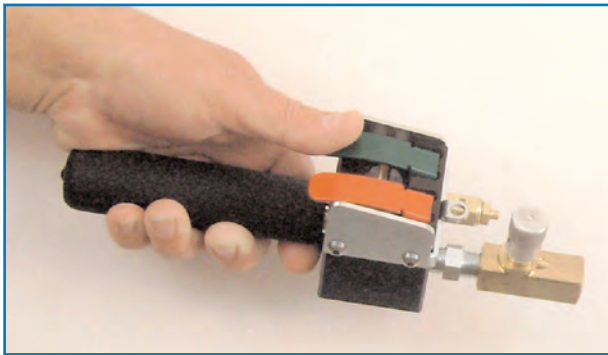
- Small, fits comfortably in most any size hand.
- Same load bearing capacity and air flow speed as the Original Sensi-Touch®.
- Up & down speed adjustments located near the Bal-Trol®.
- Compatible with all sizes of Bal-Trol®.
- Operates at 45 PSI minimum.
- Dual-acting option provides a power-assisted down mode, which makes it easier to lower an empty hook when there is no load present. Recommended for heavy loads 300 lbs. or more, but can be used on any weight.

PENDANT HANDLE (H) (PH) (SH) CONTROLS

CONTROL REMOTE FROM LOAD

USED FOR LOADING & UNLOADING OBJECTS THAT ARE LARGE & SMALL IN SIZE. ALLOWS THE WORKER TO LIFT OBJECTS REMOTE FROM THE LOAD OR ON A FIXTURE. PENDANT HANDLE CONTROLS UTILIZE THUMB LEVERS FOR THE UP AND DOWN MOVEMENT.

- **FLOAT FOR PRECISE POSITIONING:** The Pendant Handle Controls have a range of float (or balance) of 4 to 6 inches. This allows the operator to move the load within a couple of inches of drop off point, then remove hands from the control handle so that the part can be maneuvered into place.
- **SPEED:** The Original Speed Handle and Pro Handle Controls allow for variable speeds. Gentle pressure causes a slow gradual movement. Increased pressure causes faster movement. Smooth travel movement is consistent throughout travel.
- **SPEED ADJUSTMENTS** are easily handled with no additional tools required. The up speed is adjusted by turning the flow control located on the Speed Handle. Down speed is also adjusted at the control handle, for the Original and Pro Handle.



PRO HANDLE™ (PH)

- Small, weighs only 1.9 lbs.
- Proportional speed up & down: speed is low when the lever is pressed a little and higher when the lever is pressed all the way, similar to your car accelerator.
- Works well on Bal-trol® units up to 300 lbs. capacity or less.
- Easy to set the up and down speeds.

905-16100 Pro Handle ONLY.

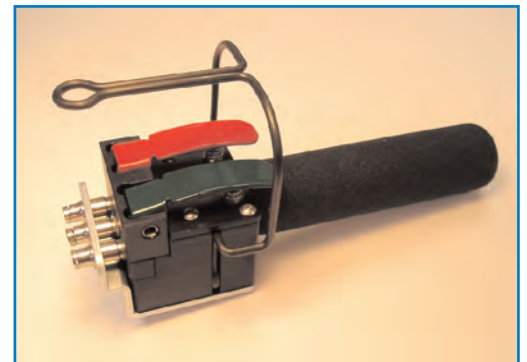
See Pro Handle Control Packages on Page 17.

SLIM HANDLE™ (SH)

- Smaller, weighs only 1.4 lbs.
- Works well on all Bal-trol® units.
- Dual-acting option provides a power-assisted down mode, which makes it easier to lower an empty hook when there is no load present. Recommended for heavy loads, 300 lbs. or more, but can be used on any weight.
- This control works thru an air piloted control valve.
- Can be used on fixtures for clamping & unclamping.

905-16000 Slim Handle ONLY.

See Slim Handle Control Packages on Page 17.



ORIGINAL SPEED HANDLE™ (H)

- Select this Control for Loads over 300 Lb. capacity or greater.
- Worker Operates Lift Remote from Load.
- Up and Down speed controls are mounted on the Speed Handle.
- Control weighs 2.4 lbs.

901-07000 - Original Speed Handle ONLY.

See Original Speed Handle Control Packages on Page 17.

BALANCE (B) CONTROL

FOR CONSTANT WEIGHT BALANCING APPLICATIONS

BALANCERS ARE INTENDED FOR APPLICATIONS WHERE A CONSTANT WEIGHT IS SUPPORTED FROM THE LOAD HOOK.

BALANCERS GIVE A DEGREE OF WEIGHTLESSNESS TO THE SUSPENDED LOAD. THEY GIVE AN OBJECT MOBILITY, MINIMIZE OPERATOR FATIGUE, AND PROTECT TOOLS FROM BEING DROPPED AND DAMAGED.

Tri-Motion Air Balancers Provide a Broad Range of Capacities In Each Model and Provide a True Balance Over Entire Travel.

- Virtually No Maintenance - Easy Installation.
- Air Consumption Is Nominal, Intake Air Is Required For Lifting Load Only.
- No Spring Fatigue.

Depending on adjustment selection, balance can be either CONSTANT: load remains where it is when operation ceases. BIAS UP: load automatically rises when operator is finished or BIAS DOWN: load returns to a down position.

BALANCER WITH HIGH RELIEF REGULATOR



Adjustment is simple, no additional tools required. Turn the adjustment knob until desired balance is achieved.

Should the main air supply be cut off, check valves keep load from falling.

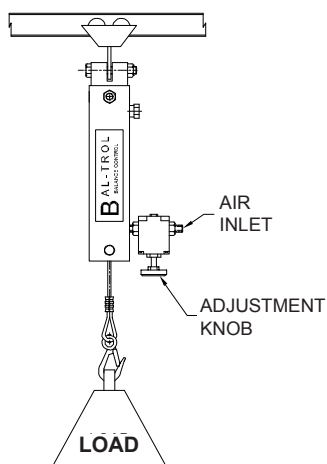
Chart reflects the range of capacity for units supplied with regulator.

909-30600 - 5-100 LBS.
Regulator with Fitting ONLY. - NONTAPPED.

909-30601 - 5-100 LBS.
Regulator Tapped For Servo Bleed Valve With Fitting for VERTICAL HOISTS.

909-30602 - 5-100 LBS.
Regulator Tapped For Servo Bleed Valve. With Fitting For HORIZONTAL HOISTS.

See Page 16 for Balance Control Packages.



BALANCER WITH SERVO BLEED VALVE

No additional tools required for adjustments. Works in conjunction with High Relief Regulator. Simply turn the servo knob until balance is achieved.

Check valves keep load from falling in the event main air supply is lost. Load lowers gradually.

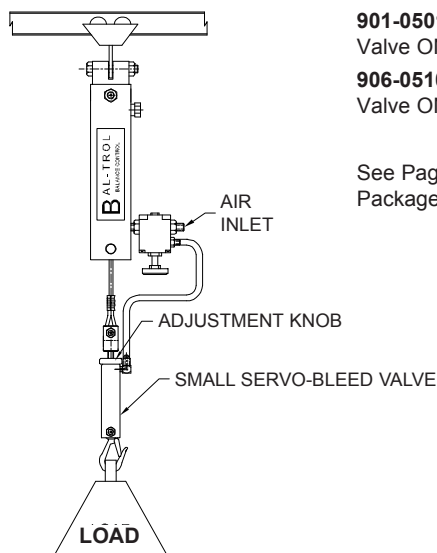
Hose between regulator and servo is a steel braided hose; in the unlikely event hose is severely damaged, load will fall.

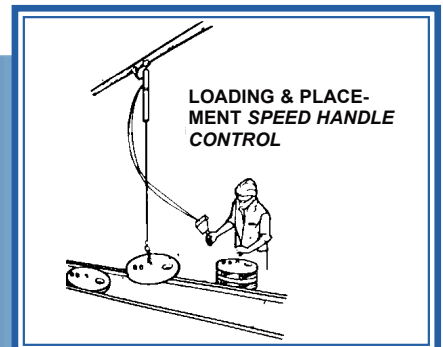
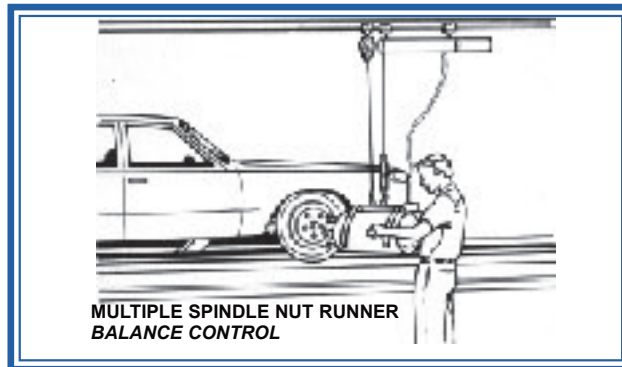
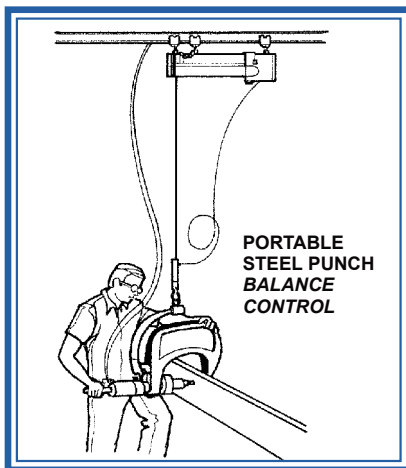
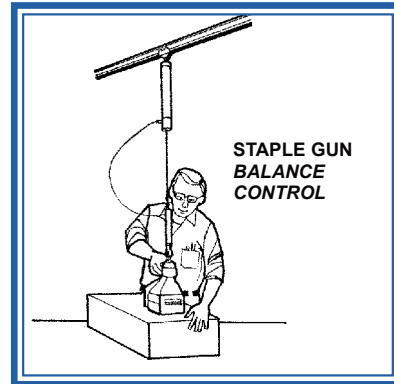
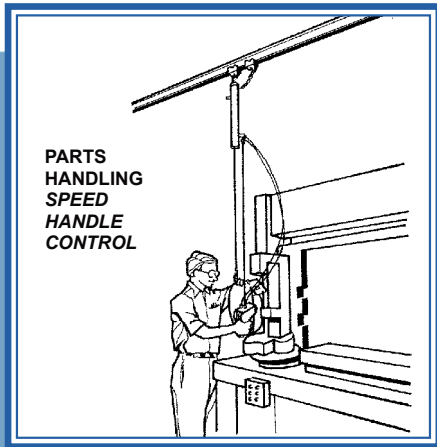
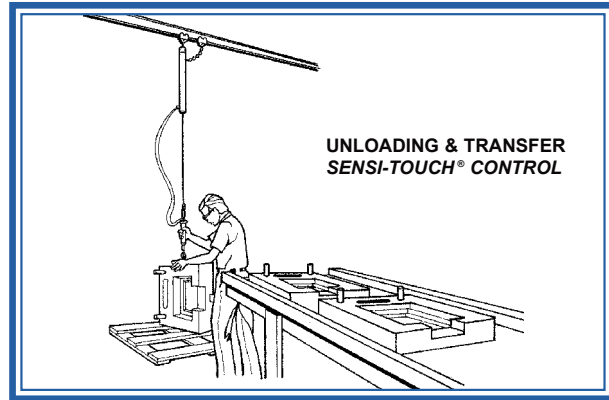
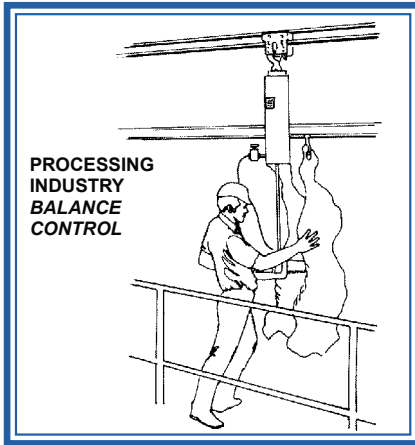


901-05010 - Small Servo Bleed Valve ONLY.

906-05101 - Large Servo Bleed Valve ONLY.

See Page 16 for Balance Control Packages.





No Spring Fatigue = Reduced Operator Fatigue
Minimal Maintenance = Reduced Costly Downtime
Uncluttered Work Areas = Reduced Potential Safety Hazards
BAL-TROL® = GREATER WORKER OUTPUT

PRO-AIR UNITS - 4 MODELS

P-03, P-06, P-12 & P-20

BAL-TROL® IS THE COST EFFECTIVE, ERGONOMIC SOLUTION FOR WORKPLACE LIFTING.

TWO MOUNTING STYLES: HORIZONTAL AND VERTICAL

- For All Repetitive Lifting Applications.
- Made to Order Travels from 1 Foot to 30 Feet or More.
- Smallest, Most Compact Bal-Trol®.
- Same Lifting Capacity as M, F, and SM Models.
- Simple to Operate.
- It Contains No Expensive Electronic Components or Computer Parts to Fail, Overheat, Have Moisture Damage or Require Reprogramming.



LOAD CAPACITY				
RATIO	P-03	P-06	P-12	P-20
	80 PSI	80 PSI	80 PSI	80 PSI
8:1	40 LBS.	75 LBS.	150 LBS.	N/A
6:1	60 LBS.	100 LBS.	200 LBS.	N/A
4:1	80 LBS.	125 LBS.	300 LBS.	500 LBS.

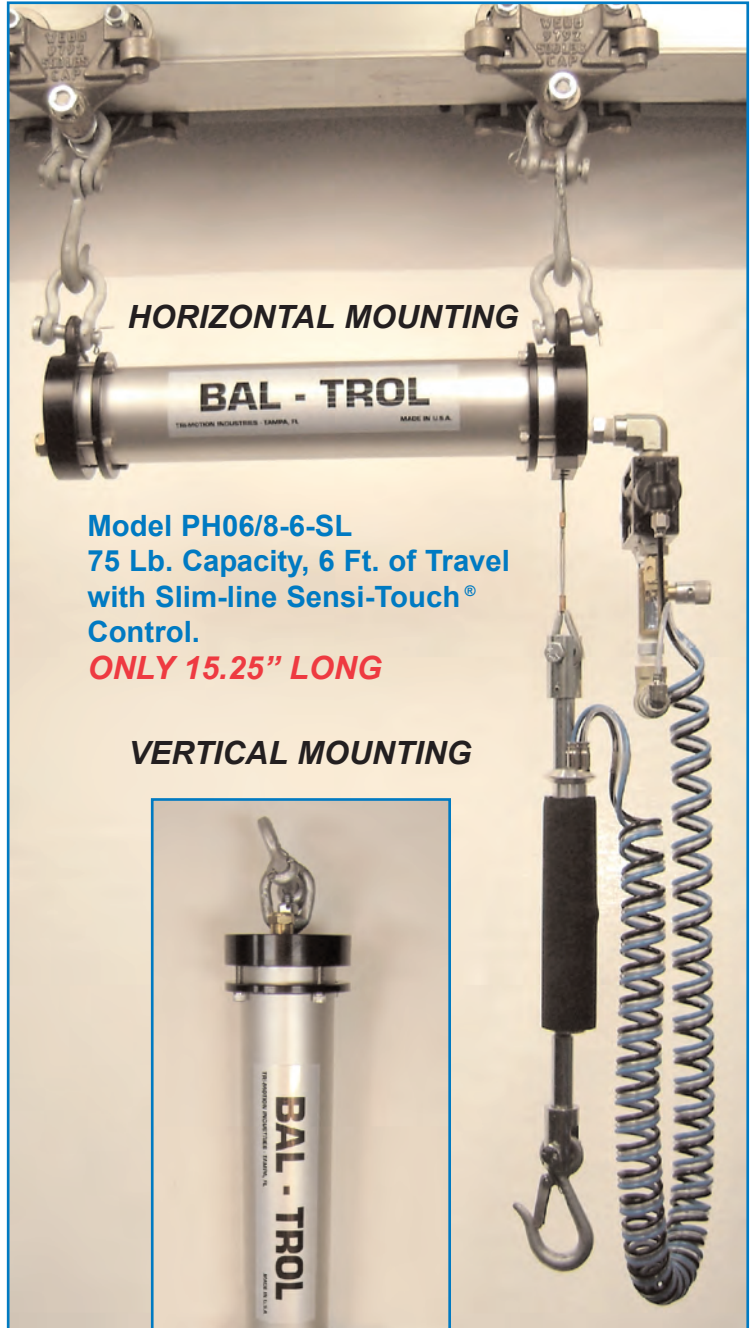
Examples:

Model - PH12/6-7-H
Pro-Air, Horizontal Mtg., 200 lbs. Capacity, 7' travel, Speed Handle Mtg. Control.

Model - PH06/8-4-SL
Pro-Air, Horizontal Mtg., 75 lbs. Capacity, 4' travel, Slim-Line Sensi-Touch® Control.

Model - PV03/6-6-B
Pro-Air, Vertical Mtg., 60 lbs. Capacity, 6' travel, Balance Control.

CHECK UNIT'S OVERALL LENGTH, HORIZONTAL & VERTICAL DIMENSIONS. SEE PAGE 8.



Model PH06/8-6-SL
75 Lb. Capacity, 6 Ft. of Travel with Slim-line Sensi-Touch® Control.
ONLY 15.25" LONG

HOW TO ORDER PRO-AIR UNITS

P **V** **03** **3** / **6** — **6** — **B**
MOUNTING V/H MODEL RATIO TRAVEL (6 FT.) BALANCE CONTROL

PV03/6-6-B Pro-Air Unit, Vertical mounting, 60 lb. Capacity @ 80 PSI, 6 ft. travel with Balance Control.

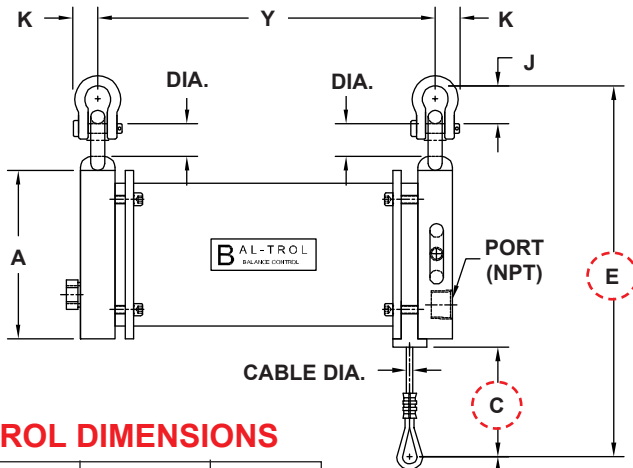
Pro-Air units are covered by U.S. Patent No. 7,798,472-B2. Also shown, the Slim-Line Sensi-Touch® is covered by U.S. Patent No. 6,595,104-B2.

U.S. Patent No. 7,798,472-B2

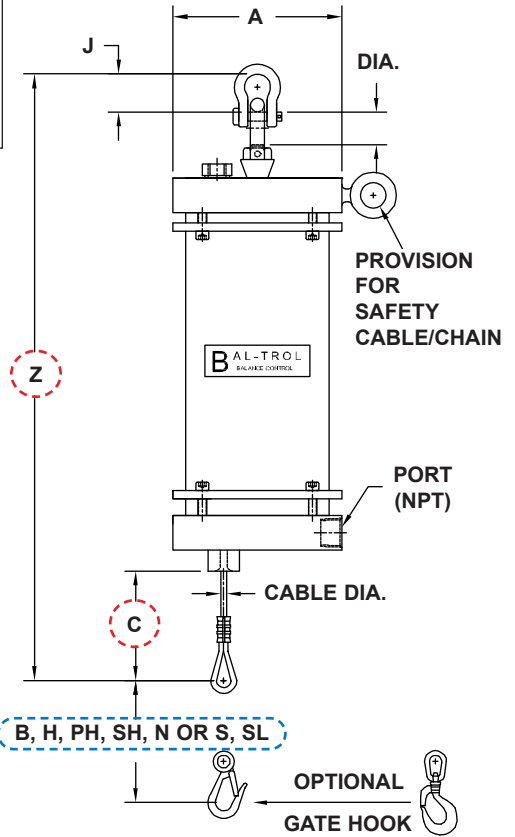
PH & PV - HORIZONTAL AND VERTICAL DIMENSIONS

MODEL	A	C	E	J	K	DIA.	CABLE DIA.	PORT (NPT)
03	3.63	4.50	10.54	1.50	.93	.78	ID: 1/16 OD: 3/32 (7 X 7)	1/4
06	4.50	4.50	11.64	1.50	.93	.78	ID: 3/32 OD: 1/8 (7 X 19)	3/8
12	6.25	5.50	14.24	1.50	.93	.97	ID: 1/8 OD: 3/16 (19 X 7)	3/8
20	7.38	5.50	16.00	1.50	.93	1.18	ID: 3/16 OD: 6/16 (7 X 19)	1/2

NOTE: DIMENSIONS "C", "E" & "Z" DO NOT INCLUDE CONTROL.

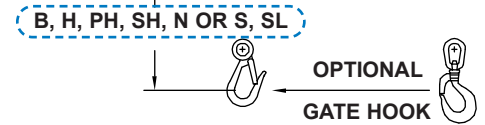
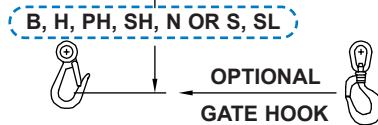


NOTE: DIMENSIONS "C", "E" & "Z" DO NOT INCLUDE CONTROL



CONTROL DIMENSIONS

MODEL	B CONTROL	H, PH, SH, N CONTROL	S, SL CONTROL
03	3.00	3.00	16.69
06	3.00	3.00	16.69
12	10.00	3.00	16.69
20	12.50	4.00	17.69



PRO-AIR MODEL OVERALL LENGTHS AT VARIOUS HOOK TRAVEL.

80 PSI ▶ TRAVEL FEET	40 LBS.		60 LBS.		80 LBS.		75 LBS.		100 LBS.		125 LBS.		150 LBS.		200 LBS.	
	HORIZ.	VERT.	HORIZ.	VERT.	HORIZ.	VERT.	HORIZ.	VERT.	HORIZ.	VERT.	HORIZ.	VERT.	HORIZ.	VERT.	HORIZ.	VERT.
	PH03/8	PV03/8	PH03/6	PV03/6	PH03/4	PV03/4	PH06/8	PV06/8	PH06/6	PV06/6	PH06/4	PV06/4	PH12/8	PV12/8	PH12/6	PV12/6
1'	6.46	15.42	6.96	15.92	7.96	16.92	7.75	17.06	8.25	17.56	9.25	18.56	10.12	21.00	10.62	21.50
2'	7.96	16.92	8.96	17.92	10.96	19.92	9.25	18.56	10.25	19.56	12.25	21.56	11.62	22.50	12.62	23.50
3'	9.46	18.42	10.96	19.92	13.96	22.92	10.75	20.06	12.25	21.56	15.25	24.56	13.12	24.00	14.62	25.50
4'	10.96	19.92	12.96	21.92	16.96	25.92	12.25	21.56	14.25	23.56	18.25	27.56	14.62	25.50	16.62	27.50
5'	12.46	21.42	14.96	23.92	19.96	28.92	13.75	23.06	16.25	25.56	21.25	30.56	16.12	27.00	18.62	29.50
6'	13.96	22.92	16.96	25.92	22.96	31.92	15.25	24.56	18.25	27.56	24.25	33.56	17.62	28.50	20.62	31.50
7'	15.46	24.42	18.96	27.92	25.96	34.92	16.75	26.06	20.25	29.56	27.25	36.56	19.12	30.00	22.62	33.50
8'	16.96	25.92	20.96	29.92	28.96	37.92	18.25	27.56	22.25	31.56	30.25	39.56	20.62	31.50	24.62	35.50
9'	18.46	27.42	22.96	31.92	31.96	40.92	19.75	29.06	24.25	33.56	33.25	42.56	22.12	33.00	26.62	37.50
10'	19.96	28.92	24.96	33.92	34.96	43.92	21.25	30.56	26.25	35.56	36.25	45.56	23.62	34.50	28.62	39.50

80 PSI ▶ TRAVEL FEET	300 LBS.		500 LBS.	
	HORIZ.	VERT.	HORIZ.	VERT.
	PH12/4	PV12/4	PH20/4	PV20/4
1'	11.62	22.50	15.75	26.50
2'	14.62	25.50	18.75	29.50
3'	17.62	28.50	21.75	32.50
4'	20.62	31.50	24.75	35.50
5'	23.62	34.50	27.75	38.50
6'	26.62	37.50	30.75	41.50
7'	29.62	40.50	33.75	44.50
8'	29.62	40.50	36.75	47.50
9'	35.62	46.50	39.75	50.50
10'	38.62	49.50	42.75	53.50

THESE CHARTS INDICATE THE OVERALL LENGTH, IN INCHES, OF UNITS AT VARIOUS TRAVEL. THESE MEASUREMENTS DO NOT INCLUDE THE CONTROL DIMENSIONS.

SEE CONTROLS PAGES 3-5

NOTE: We Reserve the Right to Change Specifications & Dimensions Without Notice. When Specifications Are Critical, Consult Factory.

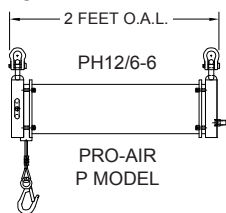
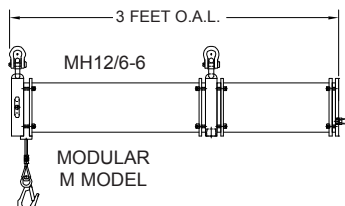
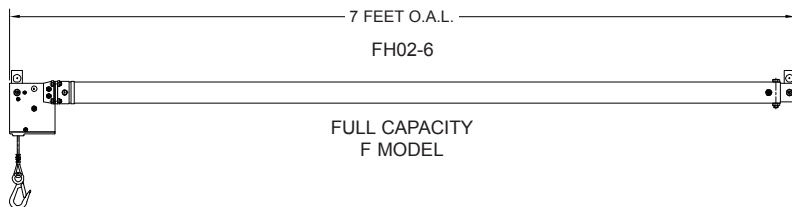
SINGLE MOUNT PRO-AIR UNITS - 3 MODELS

SM-03, SM-06 & SM-12

BAL-TROL® IS THE COST EFFECTIVE, ERGONOMIC SOLUTION FOR WORKPLACE LIFTING.

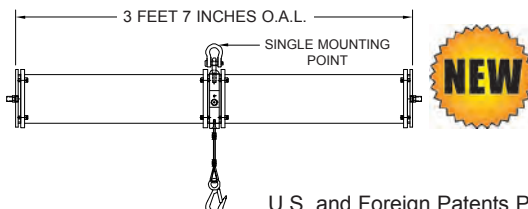
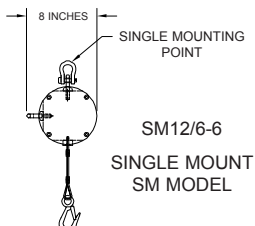
HORIZONTAL MOUNTING STYLE

- Space Saving Single Mount Horizontal Bal-Trol® Mounts Like a Vertical.
- The Single Mount Advantage Is It Can Be Mounted Inline or Perpendicular To The Rail.
- Only Needs One Trolley.
- For All Repetitive Lifting Applications.
- Simple to Operate.
- Made to Order Travels from 1 Foot to 10 Feet.
- Contains No Expensive Electronic Components or Computer Parts to Fail, Overheat, Have Moisture Damage or Require Reprogramming.



SPACE SAVING
WITH SINGLE MOUNTING POINT
SAME CAPACITY (200 LBS.)
SAME TRAVEL (6 FEET)

All Bal-Trols® have a range of "Float" to allow for precision placement without damaging product or machine.



U.S. and Foreign Patents Pending

LOAD CAPACITY			
RATIO	SM-03 80PSI	SM-06 80 PSI	SM-12 80PSI
6:1	60 LBS.	100 LBS.	200 LBS.
4:1	80 LBS.	125 LBS.	300 LBS.

Example:

Model - SM06/6-4-SL

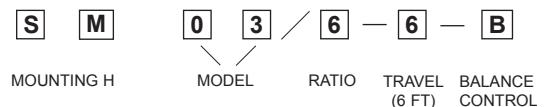
Single Mount Pro-Air, Horizontal Mtg., 100 Lbs. Capacity, 4 ft. of travel, Slim-Line Sensi-Touch® Control.

Model - SM12/6-7-H

Single Mount Pro-Air, Horizontal Mtg., 200 Lbs. Capacity, 7 ft. of travel, Speed Handle Control.

CHECK UNIT'S OVERALL LENGTH, HORIZONTAL & VERTICAL DIMENSIONS. SEE PAGE 10.

HOW TO ORDER SINGLE MOUNT UNITS



SM03/6-6-B Single Mount Pro-Air, Horizontal Mounting, 60 Lb. Capacity @ 80 PSI, 6 ft. of travel with Balance Control.

SINGLE MOUNT PRO-AIR UNITS

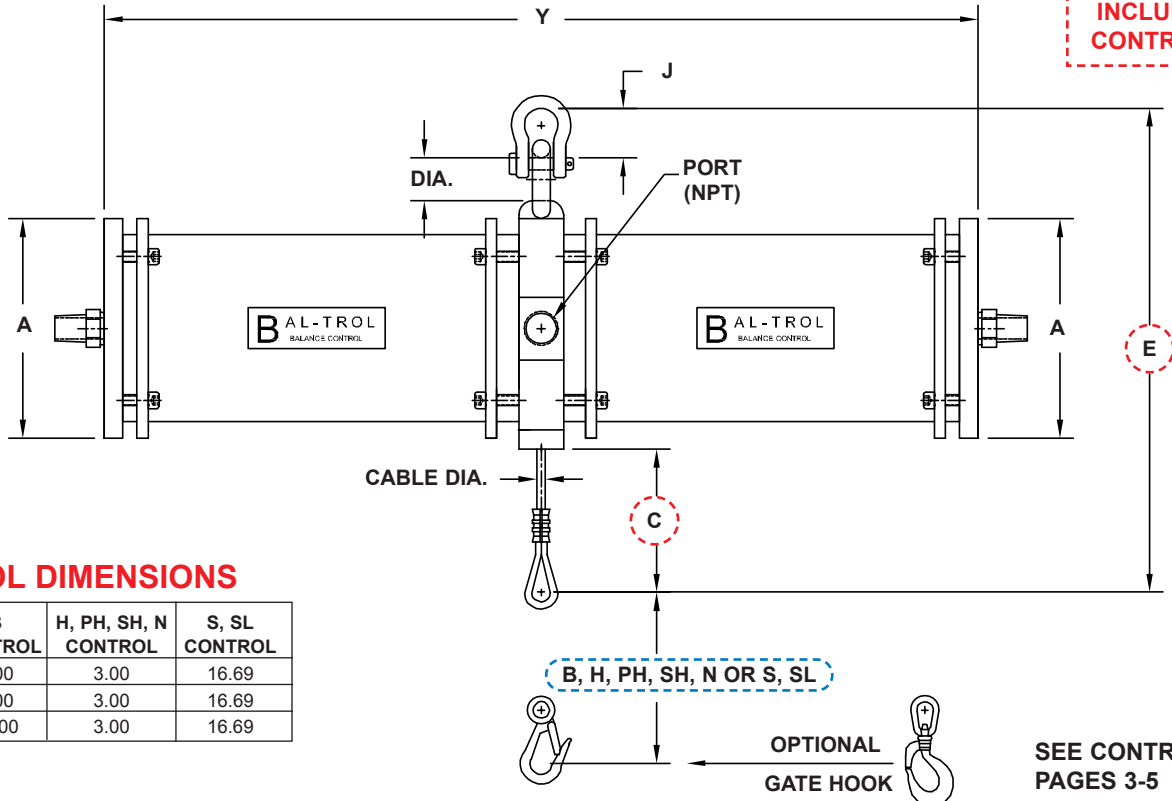
U.S. & Foreign Patents Pending

SM - DIMENSIONS

MODEL	A	B	C	E	H	J	S	DIA.	CABLE DIA.	PORT (NPT)
03	3.63	3.00	4.50	10.54	3.00	1.50	16.69	.78	ID: 1/16 OD: 3/32 (7 X 7)	1/4
06	4.50	3.00	4.50	11.64	3.00	1.50	16.69	.78	ID: 3/32 OD: 1/8 (7 X 19)	3/8
12	6.25	10.00	5.50	14.24	3.00	1.50	16.69	.97	ID: 1/8 OD: 3/16 (19 X 7)	3/8

NOTE: DIMENSIONS "C" & "E" DO NOT INCLUDE CONTROL.

NOTE:
DIMENSIONS
"C" & "E"
DO NOT
INCLUDE
CONTROL



CONTROL DIMENSIONS

MODEL	B CONTROL	H, PH, SH, N CONTROL	S, SL CONTROL
03	3.00	3.00	16.69
06	3.00	3.00	16.69
12	10.00	3.00	16.69

B, H, PH, SH, N OR S, SL

OPTIONAL
GATE HOOK

SEE CONTROLS
PAGES 3-5

NOTE: We Reserve the Right to Change Specifications & Dimensions Without Notice. When Specifications Are Critical Consult Factory.

THE CHART BELOW INDICATES THE OVERALL LENGTH, IN INCHES, OF UNITS AT VARIOUS TRAVEL. THESE MEASUREMENTS DO NOT INCLUDE THE CONTROL DIMENSIONS.

SINGLE MOUNT PRO-AIR MODEL OVERALL LENGTHS AT VARIOUS HOOK TRAVEL

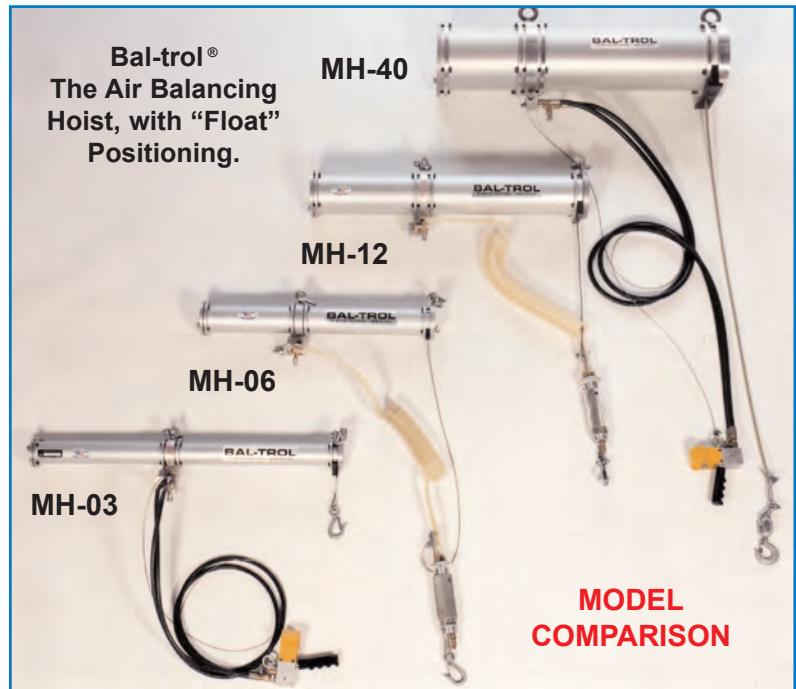
	60 LBS.	80 LBS.	100 LBS.	125 LBS.	200 LBS.	300 LBS.
	HORIZ.	HORIZ.	HORIZ.	HORIZ.	HORIZ.	HORIZ.
TRAVEL FEET	SM03/6	SM03/4	SM06/6	SM06/4	SM12/6	SM12/4
	Y	Y	Y	Y	Y	Y
1'	11.88	12.88	14.50	15.50	18.38	19.38
2'	13.88	15.88	16.50	18.50	20.38	22.38
3'	15.88	18.88	18.50	21.50	22.38	25.38
4'	17.88	21.88	20.50	24.50	24.38	28.38
5'	19.88	24.88	22.50	27.50	26.38	31.38
6'	21.88	27.88	24.50	30.50	28.38	34.38
7'	23.88	30.88	26.50	33.50	30.38	37.38
8'	25.88	33.88	28.50	36.50	32.38	40.38
9'	27.88	36.88	30.50	39.50	34.38	43.38
10'	29.88	39.88	32.50	42.50	36.38	46.38

M-MODULAR RATIO UNITS - 4 MODELS

M-03, M-06, M-12 & M-40

TWO MOUNTING STYLES: HORIZONTAL AND VERTICAL

- Modular Units - **SPACE SAVERS**
- Supply Ergonomic Solution For Work Force Efficiency And Safety For The Workplace.
- Each Model Offers A Wide Range Of Lifting Capabilities.
- Easy To Install And Maintain - Field Repairable.
- Made To Order Travels From 1 Foot To 15 Feet Or More.
- Ideal for all Types of Repetitive Pick and Place Applications.
- Greatly Reduces Operator Fatigue and Physical Stress Related Injuries.



LOAD CAPACITY				
RATIO	M-03	M-06	M-12	M-40
	80 PSI	80 PSI	80 PSI	100 PSI
8:1	40 LBS.	75 LBS.	150 LBS.	400 LBS.
6:1	60 LBS.	100 LBS.	200 LBS.	600 LBS.
4:1	80 LBS.	125 LBS.	300 LBS.	800 LBS.

HOW TO ORDER MODULAR UNITS



MV03/6-6-B Modular Unit, Vertical mounting, 60 lb. Capacity @ 80 PSI, 6 ft. travel with Balance Control.

Examples:

Model - MH12/6-7-H

Modular Ratio, Horizontal Mtg., $1200/6 = 200$ lbs. Capacity, 7' travel, Speed Handle Control.

Model - MV06/8-4-SL

Modular Ratio, Vertical Mtg. $600/8 = 75$ lbs. Capacity, 4' travel, Slim-Line Sensi-Touch® Control.

Model - MV03/6-6-B

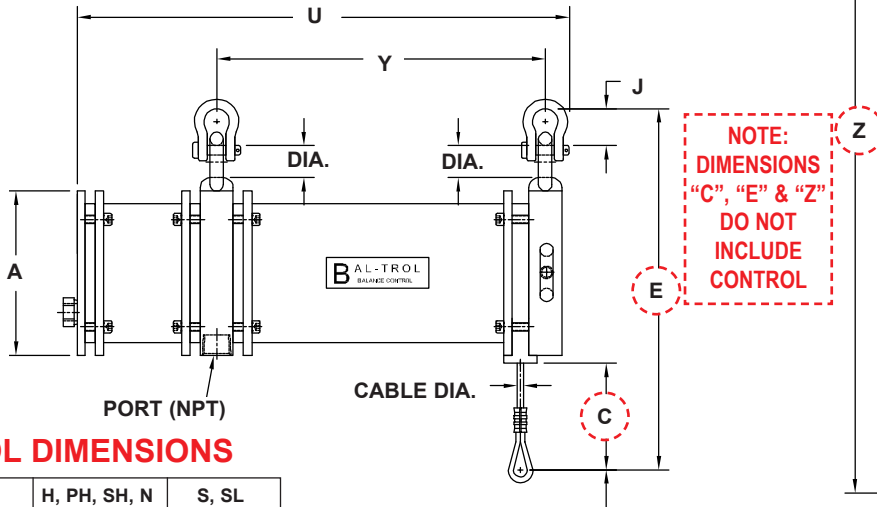
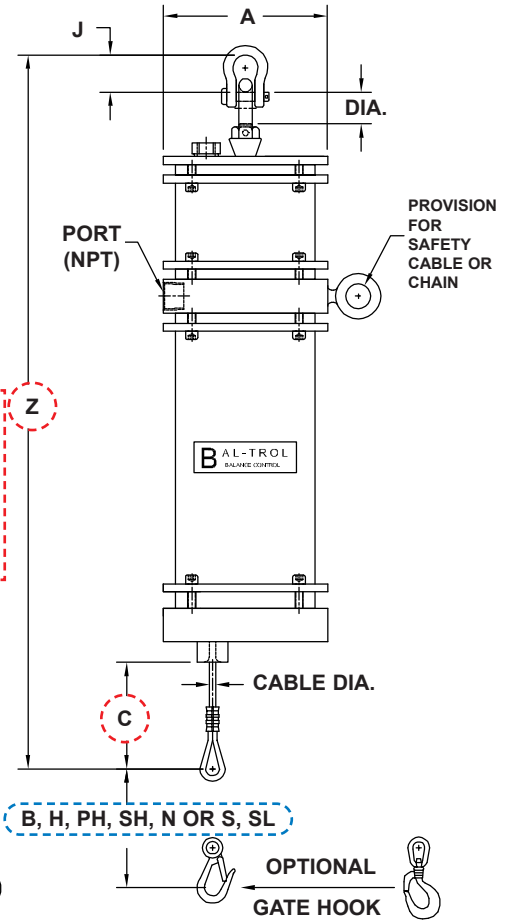
Modular Ratio, Vertical Mtg. $300/6 = 50$ lbs. Capacity, 6' travel, Balance Control.



MH & MV - HORIZONTAL AND VERTICAL DIMENSIONS

MODEL	A	C	E	J	DIA.	CABLE DIA.	PORT (NPT)
03	3.63	4.50	11.25	1.50	.78	ID: 1/16 OD: 3/32 (7 X 7)	1/4
06	4.50	4.50	11.38	1.50	.78	ID: 3/32 OD: 1/8 (7 X 19)	3/8
12	6.25	5.50	14.31	1.50	.97	ID: 1/8 OD: 3/16 (19 X 7)	3/8
40	10.00	6.50	19.00	N/A	1.50	ID: 1/4 OD: 3/8 (7 X 19)	1/2

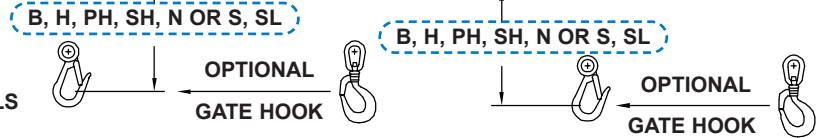
NOTE: DIMENSIONS "C", "E" & "Z" DO NOT INCLUDE CONTROL



CONTROL DIMENSIONS

MODEL	B CONTROL	H, PH, SH, N CONTROL	S, SL CONTROL
03	3.00	3.00	16.69
06	3.00	3.00	16.69
12	10.00	3.00	16.69
40	12.00	4.00	17.69

SEE CONTROLS PAGES 3-5



M - MODULAR CAPACITY MODELS

OVERALL LENGTHS OF UNITS, IN INCHES, AT VARIOUS HOOK TRAVEL. CONTROL DIMENSIONS NOT INCLUDED.

TRAVEL	40 LBS.			60 LBS.			80 LBS.			75 LBS.			100 LBS.			125 LBS.		
	HORIZ.	VERT.		HORIZ.	VERT.		HORIZ.	VERT.		HORIZ.	VERT.		HORIZ.	VERT.		HORIZ.	VERT.	
FEET	U	Y	Z	U	Y	Z	U	Y	Z	U	Y	Z	U	Y	Z	U	Y	Z
1'	11.54	6.88	18.50	12.54	7.38	19.50	14.54	8.38	21.50	14.03	9.19	21.16	15.03	9.69	22.16	17.03	10.69	24.16
2'	14.54	8.38	21.50	16.54	9.38	23.50	20.54	11.38	27.50	17.03	10.69	24.16	19.03	11.69	26.16	23.03	13.69	30.16
3'	17.54	9.88	24.50	20.54	11.38	27.50	26.54	14.38	33.50	20.03	12.19	27.16	23.03	13.69	30.16	29.03	16.69	36.16
4'	20.54	11.38	27.50	24.54	13.38	31.50	32.54	17.38	39.50	23.03	13.69	30.16	27.03	15.69	34.16	35.03	19.69	42.16
5'	23.54	12.88	30.50	28.54	15.38	35.50	38.54	20.38	45.50	26.03	15.19	33.16	31.03	17.69	38.16	41.03	22.69	48.16
6'	26.54	14.38	33.50	32.54	17.38	39.50	44.54	23.38	51.50	29.03	16.69	36.16	35.03	19.69	42.16	47.03	25.69	54.16
7'	29.54	15.88	36.50	36.54	19.38	43.50	50.54	26.38	57.50	32.03	18.19	39.16	39.03	21.69	46.16	53.03	28.69	60.16
8'	32.54	17.38	39.50	40.54	21.38	47.50	56.54	29.38	63.50	35.03	19.69	42.16	43.03	23.69	50.16	59.03	31.69	66.16
9'	35.54	18.88	42.50	44.54	23.38	51.50	62.54	32.38	69.50	38.03	21.19	45.16	47.03	25.69	54.16	65.03	34.69	72.16
10'	38.54	20.38	45.50	48.54	25.38	55.50	68.54	35.38	75.50	41.03	22.69	48.16	51.03	27.69	58.16	71.03	37.69	78.16

TRAVEL	150 LBS.			200 LBS.			300 LBS.			400 LBS.		600 LBS.		800 LBS.	
	HORIZ.	VERT.		HORIZ.	VERT.		HORIZ.	VERT.		HORIZ.	VERT.	HORIZ.	VERT.	HORIZ.	VERT.
FEET	U	Y	Z	U	Y	Z	U	Y	Z	U	Y	U	Y	U	Y
1'	15.30	10.31	24.32	16.30	10.81	25.32	18.30	11.81	27.32	25.15	18.68	26.15	19.18	28.15	20.18
2'	18.30	11.81	27.32	20.30	12.81	29.32	24.30	14.81	33.32	28.15	20.18	30.15	21.18	34.15	23.18
3'	21.30	13.31	30.32	24.30	14.81	33.32	30.30	17.81	39.32	31.15	21.68	34.15	23.18	40.15	26.18
4'	24.30	14.81	33.32	28.30	16.81	37.32	36.30	20.81	45.32	34.15	23.18	38.15	25.18	46.15	29.18
5'	27.30	16.31	36.32	32.30	18.81	41.32	42.30	23.81	51.32	37.15	24.68	42.15	27.18	52.15	32.18
6'	30.30	17.81	39.32	36.30	20.81	45.32	48.30	26.81	57.32	40.15	26.18	46.15	29.18	58.15	35.18
7'	33.30	19.31	42.32	40.30	22.81	49.32	54.30	29.81	63.32	43.15	27.68	50.15	31.18	64.15	38.18
8'	36.30	20.81	45.32	44.30	24.81	53.32	60.30	32.81	69.32	46.15	29.18	54.15	33.18	70.15	41.18
9'	39.30	22.31	48.32	48.30	26.81	57.32	66.30	35.81	75.32	49.15	30.68	58.15	35.18	76.15	44.18
10'	42.30	23.81	51.32	52.30	28.81	61.32	72.30	38.81	81.32	52.15	32.18	62.15	37.18	82.15	47.18

NOTE: DIMENSIONS "C", "E" & "Z" DO NOT INCLUDE CONTROL

F-FULL CAPACITY UNITS - 8 MODELS

TWO MOUNTING STYLES: HORIZONTAL AND VERTICAL

- Full Capacity Units Offer Ergonomic Solutions For Employee Fatigue, Efficiency & Workplace Safety.
- They Offer A Wide Range Of Capacities: 10-1200 Lbs.
- Least Expensive - Fewest Moving Parts
- Cable & Seals Easily Changed In The Field
- Made To Order Travels From 1' to 15' Or More
- **CHECK OVERALL LENGTH BEFORE ORDERING - SEE OTHER UNITS FOR SPACE SAVING.**

VERTICAL BAL-TROL®



Consider This When Selecting Vertical Model: Available Vertical Mounting Space Requires High Ceilings

FV01-4-S shown

Important Tips When Selecting FH or FV Units

BAL-TROL® HORIZONTAL

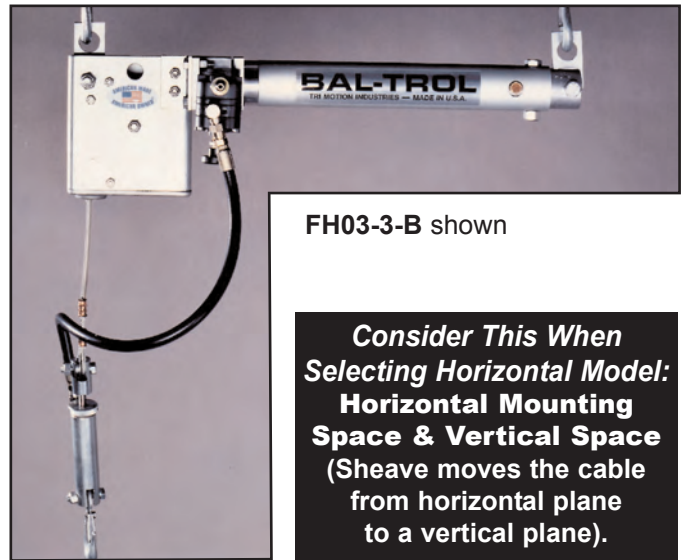
B
V
A
E
L
R
T
T
R
I
O
C
L
A
L
®
L

Check Your Mounting Space

B
V
A
E
L
R
T
T
R
I
O
C
L
A
L
®
L

Check For Obstacles

HORIZONTAL BAL-TROL®



FH03-3-B shown

Consider This When Selecting Horizontal Model: Horizontal Mounting Space & Vertical Space (Sheave moves the cable from horizontal plane to a vertical plane).

LOAD CAPACITY			
MODEL	BORE SIZE Inches	@ 80 PSI	@ 100 PSI
50	1	50 LBS.	65 LBS.
01	1-1/2	100 LBS.	125 LBS.
02	2	200 LBS.	250 LBS.
03	2-1/2	300 LBS.	375 LBS.
06	3-1/4	600 LBS.	750 LBS.
08	4	800 LBS.	1000 LBS.
12	5	1200 LBS.	1500 LBS.

Examples:

Model - FV02-4-S

Full Capacity Units, Vertical, 200 lbs. Capacity, 4 ft. of travel, Sensi-Touch® Control indicate "S" or "SL" (SEE PAGE 3).

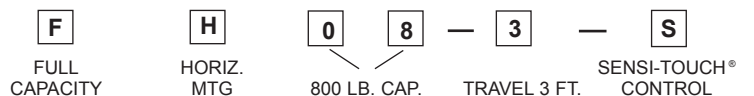
CHECK UNITS OVERALL LENGTH

Model - FH02-5-B

Full Capacity Units, Horizontal, 200 lbs. Capacity, 5 ft. of travel, Balance Control Package.(SEE PAGE 5).

CHECK YOUR HORIZONTAL & VERTICAL DIMENSIONS. SEE PAGE 14.

HOW TO ORDER FULL CAPACITY UNITS



FH08-3-S Full Capacity, Horizontal Mounting, 800 lb. Capacity @ 80 PSI, 3 ft. of travel, with Sensi-touch® Control.

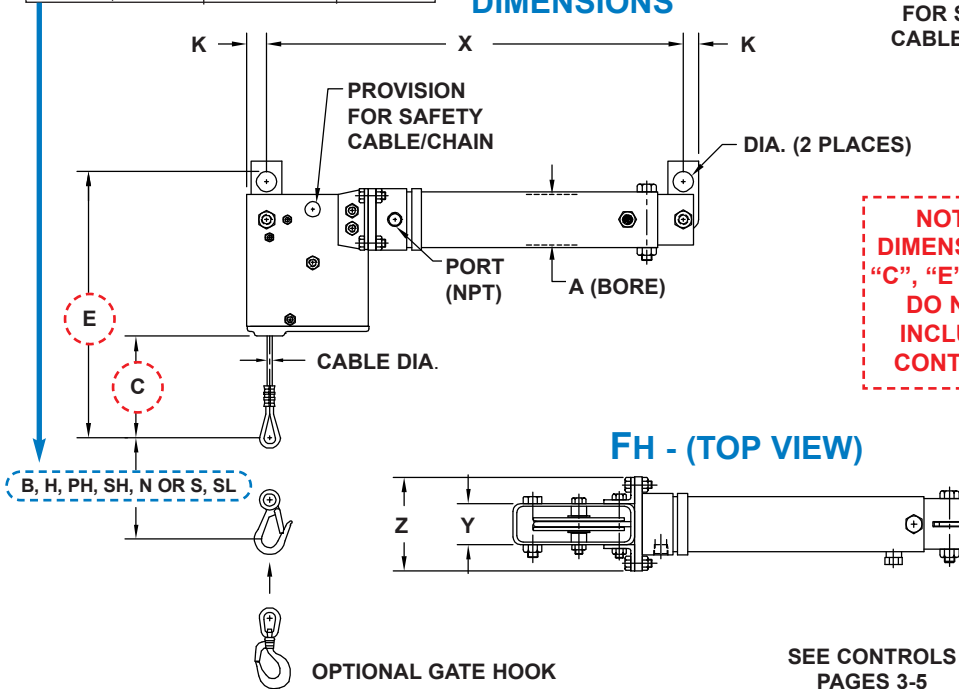
FH & FV - HORIZONTAL AND VERTICAL DIMENSIONS

MODEL	A	C	E	K	U	Y	Z	THK.	DIA.	CABLE DIA.	PORT (NPT)
50	1.00	4.50	8.35	.62	4.06	1.50	2.00	.13	.75	ID: 1/16 OD: 3/32 (7 X 7)	1/8
01	1.50	4.50	11.91	.75	4.56	2.50	3.38	.18	1.00	ID: 1/8 OD: 3/16 (19 X 7)	3/8
02	2.00	5.00	13.13	.87	5.06	2.00	4.13	.18	1.00	ID: 5/32 OD: 1/4 (7 X 19)	3/8
03	2.50	5.00	13.13	.87	5.56	2.00	4.63	.18	1.00	ID: 5/32 OD: 1/4 (7 X 19)	3/8
06	3.25	5.50	16.04	1.32	6.31	2.00	5.50	.50	1.00	ID: 3/16 OD: 5/16 (7 X 19)	1/2
08	4.00	6.00	18.13	1.29	7.06	2.00	6.25	.50	1.00	ID: 1/4 OD: 3/8 (7 X 19)	1/2
12	5.00	6.00	17.63	1.41	8.06	4.00	7.63	.50	1.00	ID: 1/4 OD: 3/8 (7 X 19)	1/2

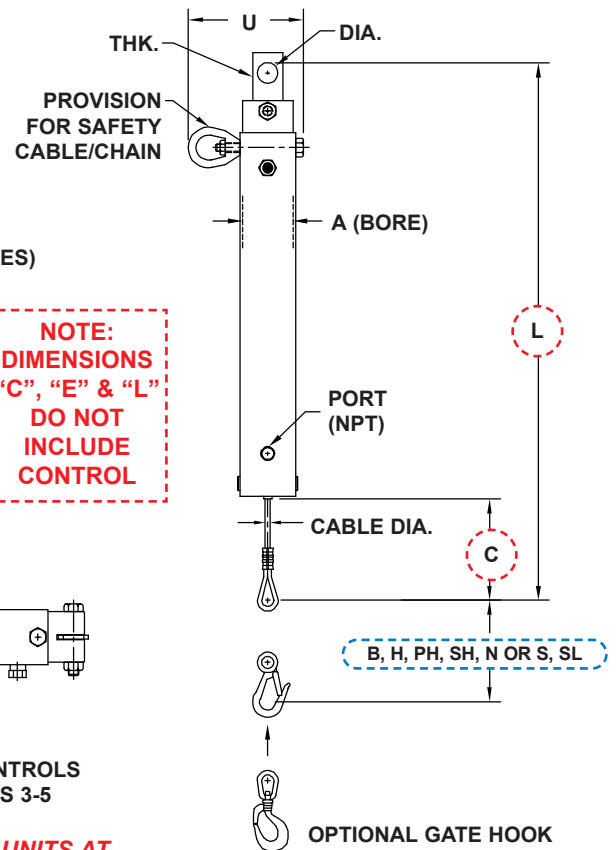
CONTROL DIMENSIONS

MODEL	B CONTROL	H, PH, SH, N CONTROL	S, SL CONTROL												
50	3.00	3.00	16.69												
01	3.00	3.00	16.69												
02	10.00	3.00	16.69												
03	10.00	3.00	16.69 </tr <tr> <td>06</td> <td>12.50</td> <td>4.00</td> <td>17.69</td> </tr> <tr> <td>08</td> <td>12.50</td> <td>4.00</td> <td>17.69</td> </tr> <tr> <td>12</td> <td>12.50</td> <td>4.00</td> <td>17.69</td> </tr>	06	12.50	4.00	17.69	08	12.50	4.00	17.69	12	12.50	4.00	17.69
06	12.50	4.00	17.69												
08	12.50	4.00	17.69												
12	12.50	4.00	17.69												

FH HORIZONTAL DIMENSIONS



FV - VERTICAL DIMENSIONS



THE CHART BELOW INDICATES THE OVERALL LENGTH, IN INCHES, OF UNITS AT VARIOUS TRAVEL. THESE MEASUREMENTS DO NOT INCLUDE THE CONTROL DIMENSIONS.

F - FULL CAPACITY MODELS OVERALL LENGTHS AT VARIOUS HOOK TRAVEL

TRAVEL FEET	50 LBS.		100 LBS.		200 LBS.		300 LBS.		600 LBS.		800 LBS.		1200 LBS.	
	HORIZ.	VERT.	HORIZ.	VERT.	HORIZ.	VERT.	HORIZ.	VERT.	HORIZ.	VERT.	HORIZ.	VERT.	HORIZ.	VERT.
	FH50	FV50	FH01	FV01	FH02	FV02	FH03	FV03	FH06	FV06	FH08	FV08	FH12	FV12
1'	18.85	25.63	22.06	26.32	23.53	26.82	23.53	26.82	28.41	30.20	28.48	31.58	30.30	33.47
2'	30.85	37.63	34.06	38.32	35.53	38.82	35.53	38.82	40.41	42.20	40.48	43.58	42.30	45.47
3'	42.85	49.63	46.06	50.32	47.53	50.82	47.53	50.82	52.41	54.20	52.48	55.58	54.30	57.47
4'	54.85	61.63	58.06	62.32	59.53	62.82	59.53	62.82	64.41	66.20	64.48	67.58	66.30	69.47
5'	66.85	73.63	70.06	74.32	71.53	74.82	71.53	74.82	76.41	78.20	76.48	79.58	78.30	81.47
6'	78.85	85.63	82.06	86.32	83.53	86.82	83.53	86.82	88.41	90.20	88.48	91.58	90.30	93.47
7'	90.85	97.63	94.06	98.32	95.53	98.82	95.53	98.82	100.41	102.20	100.48	103.58	102.30	105.47
8'	102.85	109.63	106.06	110.32	107.53	110.82	107.53	110.82	112.41	114.20	112.48	115.58	114.30	117.47
9'	114.85	121.63	118.06	122.32	119.53	122.82	119.53	122.82	124.41	126.20	124.48	127.58	126.30	129.47
10'	126.85	133.63	130.06	134.32	131.53	134.82	131.53	134.82	136.41	138.20	136.48	139.58	138.30	141.47

DROP-STOP® LOAD ARRESTORS

FUNCTION: ARREST ACCIDENTAL FREE-FALL OF LOADS ON PRODUCT OR MACHINERY.

APPLICATIONS: PROTECTS HEAVY COMPONENTS/ASSEMBLIES, RAW MATERIALS & MACHINERY.

Works on principle of inertia. Inertia is the same principle used in car safety belt systems. Drop-Stops® are used as a back-up device to the Bal-Trol®. Load arrestors' spring tensioned cable is connected to the load. The device senses a fall when connected objects fall and speeds exceed the lock-on rate.

ADDITIONAL FEATURES OF DROP-STOPS®:

- Shock Absorbing Systems
- Portable
- Brake Indicator Button
- Self Retracting Steel Cable
- Sturdy Rigid Design



D23-300 (hook style varies)



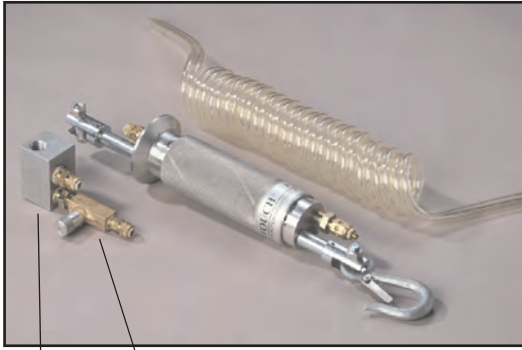
D23-1100F



D23-3300

MODEL NUMBER	CABLE LENGTH FT.	LOAD CAPACITY LBS.	SPEED TO ACTIVATE BRAKING FT./SEC.	STOP DISTANCE TO ACTIVATE FEET (MAX.)	BLOCK O.A.L. LENGTH	BLOCK WIDTH	BLOCK DEPTH	MINIMUM ANCHORAGE POINT REQ./LBS.	BLOCK WEIGHT
D23-300	23'	75-300	4.9	2.3'	23"	9"	5.2"	2600	22
D40-660	40'	75-660	1.65	2'	13.5"	8"	4.5"	3555	19
D17-1100	17'	75-1100	1.65	2'	13.4"	8"	4.5"	6975	19
D23-1100F	23'	75-1100	2.0	3.3'	28.4"	11.5"	5.4"	5511	35
D50-1100F	50'	75-1100	2.0	3.3'	28.4"	11.5"	5.4"	5511	35
D23-3300	23'	75-3300	2.0	3.3'	28.4"	11.5"	6.0"	13228	48
D33-3300	33'	75-3300	2.0	3.3'	28.4"	11.5"	6.0"	13228	53

DUE TO THE NATURE OF THIS PRODUCT, IT IS RECOMMENDED THAT ALL DROP-STOPS® BE RETURNED FOR A YEARLY ROUTINE INSPECTION AND RECERTIFICATION. DROP STOPS SHOULD BE SERVICED EXCLUSIVELY BY TRAINED REPRESENTATIVES.



Manifold Block Flow Control Valve

Original Sensi-Touch® Control Package (See page 3)

(Includes: Manifold, Hose & Flow Control)

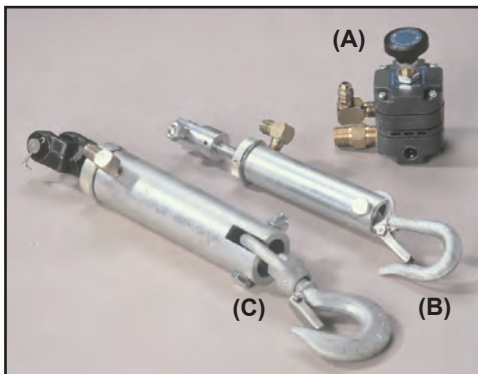
- 901-09000 5-375 LBS. for VERTICAL Hoists
- 901-09001 5-375 LBS. for HORIZONTAL Hoists
- 901-09002 400-1200 LBS. for VERTICAL Hoists
- 901-09003 400-1200 LBS. for HORIZONTAL Hoists
- 901-06000 Original Sensi-Touch® Small Control Only, 5-375 Lbs.
- 901-06001 Original Sensi-Touch® Large Control Only, 400-1200 Lbs.
- 909-04000 Hose Assembly (Clear 10 Ft.)
- 909-04015 Hose Assembly (Clear 15 Ft.)
- 909-40300MH Manifold Block and JF2 Flow Control Horizontal
- 101-05508 Manifold Block Universal
- 601-05400 JN2 Flow Control only, 1/4" NPT



Slim-Line Sensi-Touch® Control Packages (See page 3)

(Includes: Valves, Hose & Control)

- 905-09000 5-375 LBS. SINGLE ACTING for VERTICAL Hoists
- 905-09001 5-375 LBS. SINGLE ACTING for HORIZONTAL Hoists
- 905-09002 400-1200 LBS. SINGLE ACTING for VERTICAL Hoists
- 905-09003 400-1200 LBS. SINGLE ACTING for HORIZONTAL Hoists
- 905-06000 Slim-Line Sensi-Touch® Control Only, 5-375 Lbs.
- 905-06002 Slim-Line Sensi-Touch® Control Only, 400-1200 Lbs.
- 605-06006 3-Bore Coiled Slim-Line Hose (10 Ft.)
- 605-06020 Hose Union (3 needed)
- Single Acting Retrofit Valve Kit:**
- 905-07000 Valve Assembly (No Slim-Line, No Hose)
- Dual Acting Retrofit Valve Kits:**
- 905-07020 Models FV01 thru FV03
- 905-07021 Models FH01 thru FH03
- 905-07022 Models FV06 thru FV12
- 905-07023 Models FH06 thru FH12, MH40
- 905-07024 Models MV03 thru MV12, PV03
- 905-07025 Models MH03, FH03
- 905-07026 Models PV, PV12
- 905-07027 Models MH06 thru MH12
- 905-07028 Model PV20
- 905-07029 Models PH03, PH06, PH12
- 905-07031 Model PH20
- 905-07040 Models SM03, SM06
- 905-07041 Model SM12



Balance Control Packages (See page 5)

- 909-30600 5-100 LBS. Balancer Control Package
Includes: Regulator with Fitting. For Models F-50, F-01, M-03, M-06/8, M-06/6, P-03, P-06/8, P-06/6, SM-03, SM-06/6.
- 901-31000 125-375 LBS. Balancer Control Package
Includes: Small Servo, Regulator & Hose, For Models F-02, F-03, M-06/4, M-12, P-12, P-06/4. SM06/4, SM-12.
- 906-31000 400-800 LBS. Balancer Control Package
Includes: Large Servo, Regulator & Hose, For Models F-06, F-08, F-12, M-40, P-20.
- 909-30600 Regulator with fitting Only, nontapped (A)
- 909-30601 Regulator tapped for Servo w/fitting for VERTICAL Hoists
- 909-30602 Regulator tapped for Servo w/fitting for HORIZONTAL Hoists
- 901-25000 Servo Hose Assembly (Not Pictured)
- 901-05010 Small Servo (B) (Control Only)
- 906-05101 Large Servo (C) (Control Only)

EXTRA, ADJUSTABLE, PRIMARY CABLE WITH CLAMPS

Customer specifies a non-standard amount of extra, adjustable, primary cable for any Bal-Trol® model. Useful when the Bal-Trol® is going to be mounted high above the work area. The extra cable ensures that the hook travel range reaches the place where the work takes place. The extra, adjustable, primary cable represents the amount of cable which does not retract into the unit (Refer to the "C" dimension on pages 8, 10, 12 and 14). Extra cable is generally supplied in 1 foot increments and can be adjusted in the field using the included wire rope clamps.

OVERHANG CABLE

Attaches to retractable cable supplied on Bal-Trol® and comes with top shackle and safety hook. Does not retract into unit. Can be adjusted in the field. Generally supplied in 1 foot increments

- Model No. CA-4 All Capacities 600 lbs. & under
- Model No. CA-7 All Capacities over 600 lbs.



Manifold Block
Flow Control Valve

Small Original Speed Handle Control Package (See Page 4)

- 901-02000 5-375 LBS. for VERTICAL Hoists
 - 901-02001 5-375 LBS. for HORIZONTAL Hoists
- Includes: Handle, Manifold, Hose,

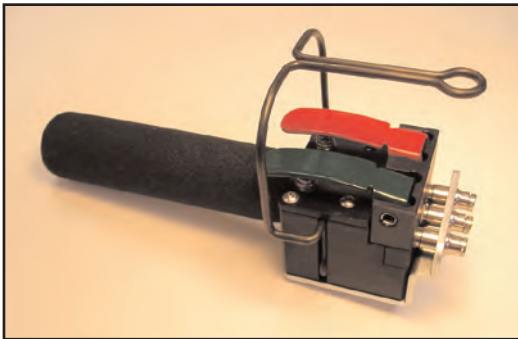
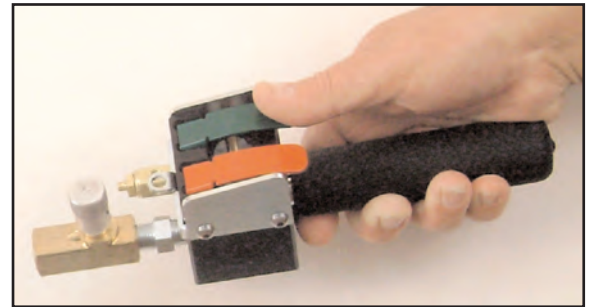
Large Original Speed Handle Control Package

- 906-02000 400-1200 LBS. for VERTICAL Hoists
- 906-02001 400-1200 LBS. for HORIZONTAL Hoists
- 901-07000 Original Speed Handle Control Only, 5-375 Lbs.
- 901-07001 Large Original Speed Handle Control Only, 400-1200 Lbs.

- 909-45000 Small Hose Assembly (1/4")
- 901-45000 Large Hose Assembly (3/8")
- 101-05508 Manifold Block Universal
- 601-05503 Flow Control Valve JN1 1/8" NPT
- 601-05400 Flow Control Valve JN2 1/4" NPT
- 601-05500 Flow Control Valve JN3 3/8" NPT

Pro Handle Control Package (See Page 4)

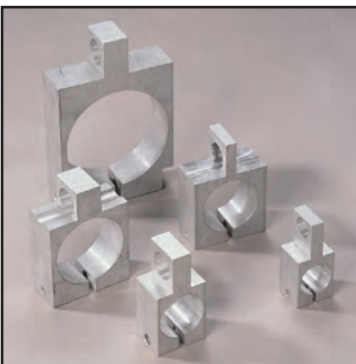
- 905-19100 5-375 LBS. SINGLE ACTING for VERTICAL Hoist
- 905-19101 5-375 LBS. SINGLE ACTING for HORIZONTAL Hoist
- 905-16100 Pro Handle Control Only
- 909-45000 Small Hose Assembly (1/4")
- 909-04001 Hose Assembly (10 Feet with Fittings for Pro Handle)
- 101-05508 Manifold Block Universal
- 601-05400 Flow Control Valve JN2 1/4" NPT



Slim Handle Control Package (See page 4)

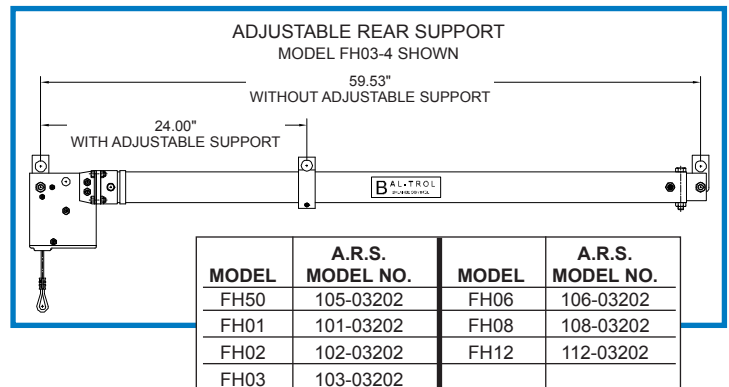
- 905-19000 5-375 LBS. SINGLE ACTING for VERTICAL Hoists
- 905-19001 5-375 LBS. SINGLE ACTING for HORIZONTAL Hoists
- 905-19002 400-1200 LBS. SINGLE ACTING for VERTICAL Hoists
- 905-19003 400-1200 LBS. SINGLE ACTING for HORIZONTAL Hoists
- 905-16000 Slim Handle Control Only.
- 905-07000 Valve Assembly (No Slim-Handle, No Hose)
- 905-07001 Valve Assembly (No Control or Hose, MH)
- 605-06006 3-Bore Coiled Hose Assembly (10 Ft.)

Single Acting Retrofit Valve Kit same as Slim-Line Sensi-Touch® Control
Dual Acting Retrofit Valve Kits same as Slim-Line Sensi-Touch® Control



ADJUSTABLE REAR SUPPORT

Shortens mounting distance on horizontal units. In drawing, unit could be mounted in space of 2'. Approximately 35" of unit would suspend off back of arm.



CABLE ASSEMBLY AND SEAL KIT.

Pictured is a Cable Assembly and Seal Kit. These items are the only recommended replacement parts you need to have on hand to keep down-time to a minimum. Replacement Cable and Seal Kit can ship in a matter of days, same day shipment for emergencies. Your unit can easily be repaired in the field.



Always specify a complete model number & serial number.

SWIVELS

The cables on the Bal-trol® units should not be allowed to twist repetitively. If the application requires that the load be rotated, then a swivel should be used to protect the cable from this type of spinning. In the case of the Sensi-Touch® control there is a set screw on the lower body of the control that must be tightened to prevent the shaft from turning within the control. This will prevent the shaft from rotating & twisting the cable.

Model No. GHNB-06 - Used on Sensi-Touch®
Model No. GHNB-07 - Used on Speed Handle

SAFETY CHAIN

All Bal-trols® are supplied with provisions to secure a safety chain from the Bal-Trol® to a secondary support system. The secondary support should be different from the support that the Bal-Trol® is mounted. All overhead equipment should be secured for safety reasons. Selection is based on total weight of Bal-Trol® plus load(s).



Model No. 500C (500 Lbs. Capacity)
Model No. 2000C (2000 Lbs. Capacity)



DEMO KIT - 909-90000

A trained Tri-Motion authorized distributor is capable of demonstrating the benefits of a Bal-Trol®. Their demo kit can easily be set up in any office environment. They furnish hangers, Bal-Trol® unit PH03/8-3-SL and air tank which serves as a weight. Make arrangements to have your local distributor show you the ergonomic and safety benefits of using Tri-Motion Air Balancers.

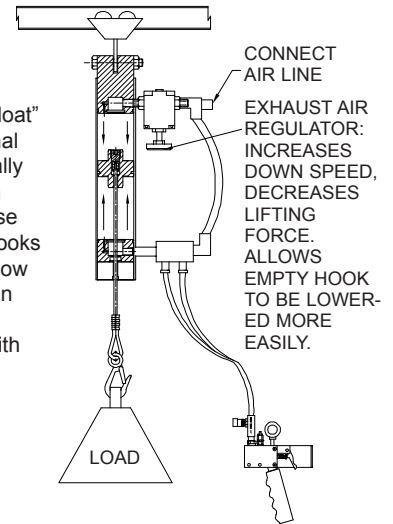


GH4 and GH7 GATE HOOK

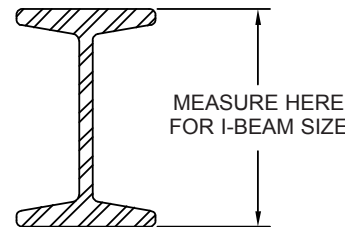
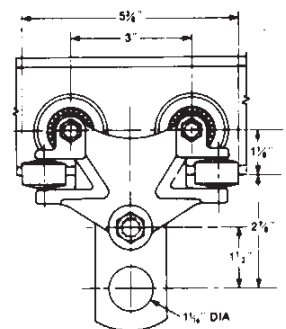
All Bal-Trols are supplied with forged steel Safety Latch Type Hooks. Gate Hooks provide an additional measure of safety, extra but simple procedures are required in order to remove a load from the hook. Select **Model GH-4** for Models (100 Lbs. thru 600 Lbs.) F01 thru F06 M03, M06, M12, P03, P06, P12, P20, SM03, SM06 & SM12 **Model GH-7** for Models (800 Lbs. thru 1200 Lbs.) F08, F12 and M40.

EXHAUST AIR REGULATOR - E.A.R. MODEL 909-09000

Used in applications where "Float" is not required. Offers additional safety should a load accidentally slip from the hook. This option increases down speed for those applications lowering empty hooks or light loads. Depending on how valve is regulated, capacity can decrease from 10% to 100%. Units can be field retrofitted with E.A.R. option.

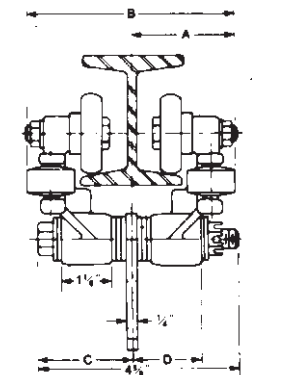


500-T & 1000-T TROLLEYS



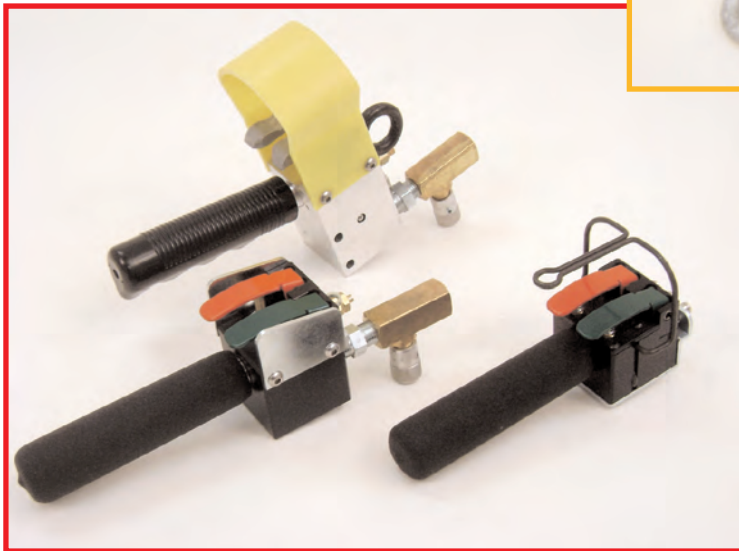
VARIABLE DIMENSIONS				
BEAM SIZE	A	B	C	D
2-5/8"	2.06	4.12	2.06	1.25
3"	2.38	4.68	2.06	1.56
4"	2.50	5.00	2.06	1.75

Consult factory for other models





SLIM-LINE SENSI-TOUCH[®] CONTROL
ORIGINAL SENSI-TOUCH[®] CONTROL
See page 3



ORIGINAL SPEED HANDLE CONTROL
PRO-HANDLE CONTROL
SLIM HANDLE CONTROL
See page 4



BALANCE CONTROL
REGULATOR WITH FITTINGS
SERVO BLEED VALVES
See page 5

TMI TRI-MOTION[™]
INDUSTRIES, INC.
LEADERS IN AIR BALANCING HOISTS



TRI-MOTION INDUSTRIES, INC.

5688 WEST CRENSHAW ★ TAMPA, FL 33634

PH: (813) 884-6600 ★ FAX: (813) 884-6800

EMAIL: sales@trimotionindustries.com ★ Website: www.trimotionindustries.com